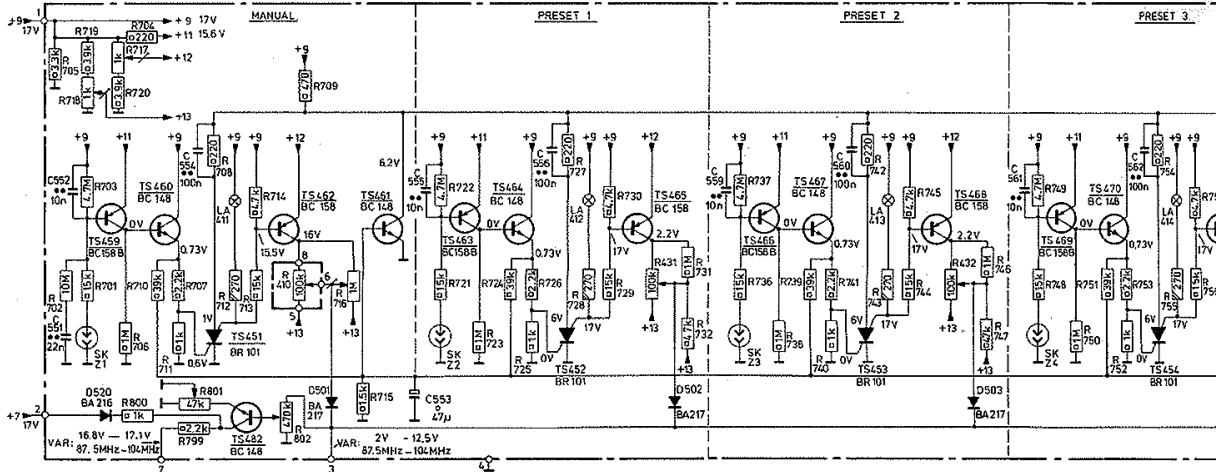


| | | | | | | | | | | | | | | | | | | | | | | | | | | |
|---|-----|-----|-----|-----|-----|-----|-----|-----|-----|-----|-----|-----|-----|-----|-----|-----|-----|-----|-----|-----|-----|-----|-----|-----|-----|-----|
| C | 551 | 552 | 553 | 554 | | 555 | | 556 | | 559 | | 560 | | 561 | | 562 | | 563 | | | | | | | | |
| R | 717 | 800 | 701 | 710 | 799 | 718 | 801 | 711 | 716 | 802 | 410 | 715 | 715 | 721 | 726 | 727 | 732 | 431 | 736 | 741 | 742 | 747 | 432 | 748 | 759 | 754 |

ALL THE VOLTAGES ARE MEASURED IN POSITION "MANUAL"



TS459 ÷ 480
TS482



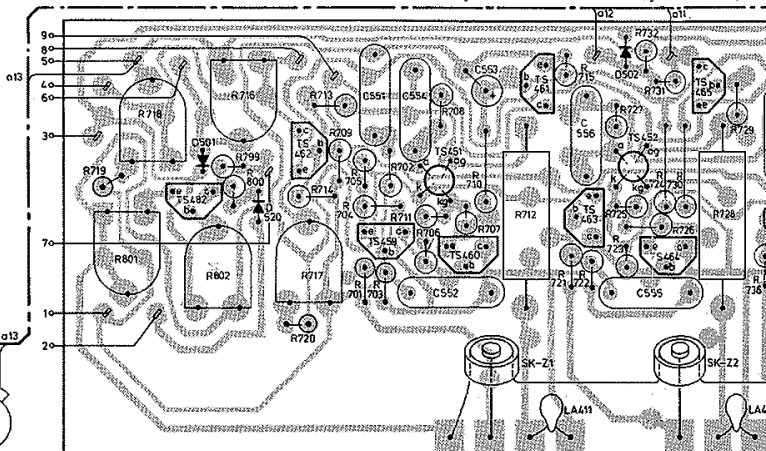
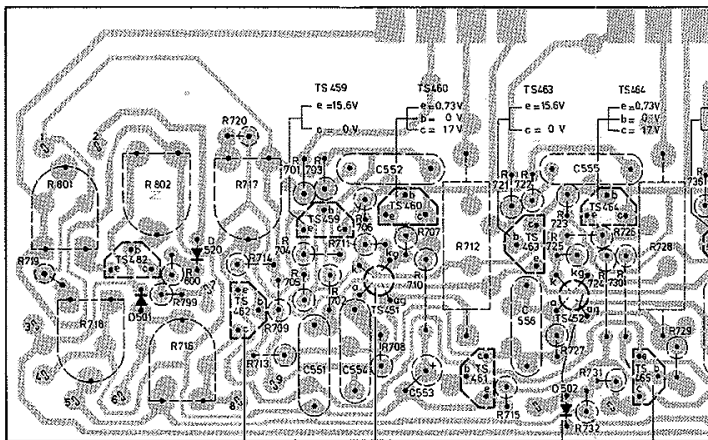
TS451 ÷ 457



D501 ÷ 507

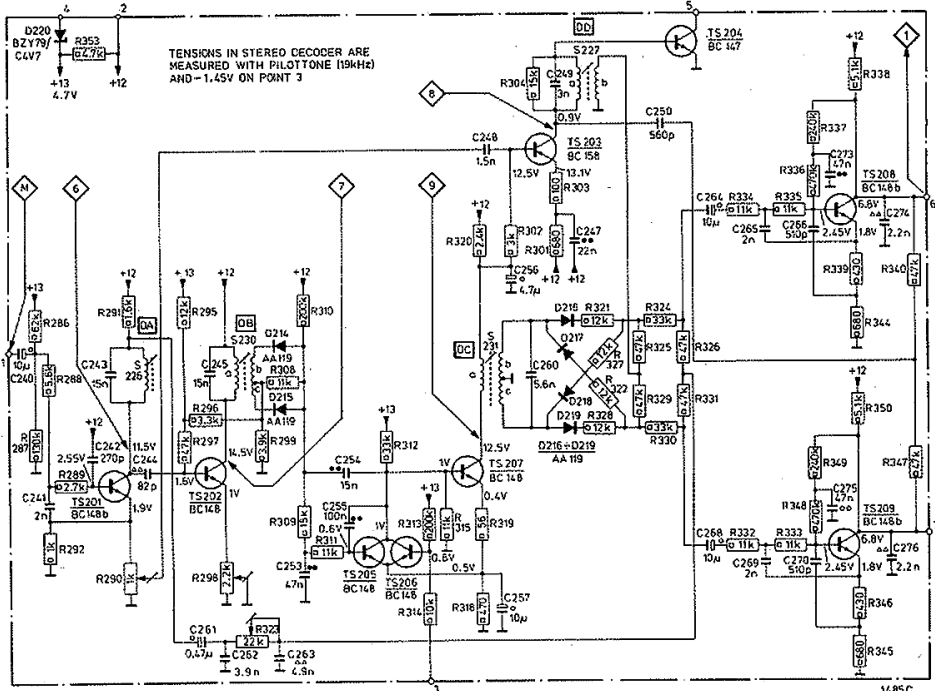


D520

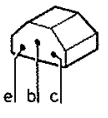


STEREO DECODER

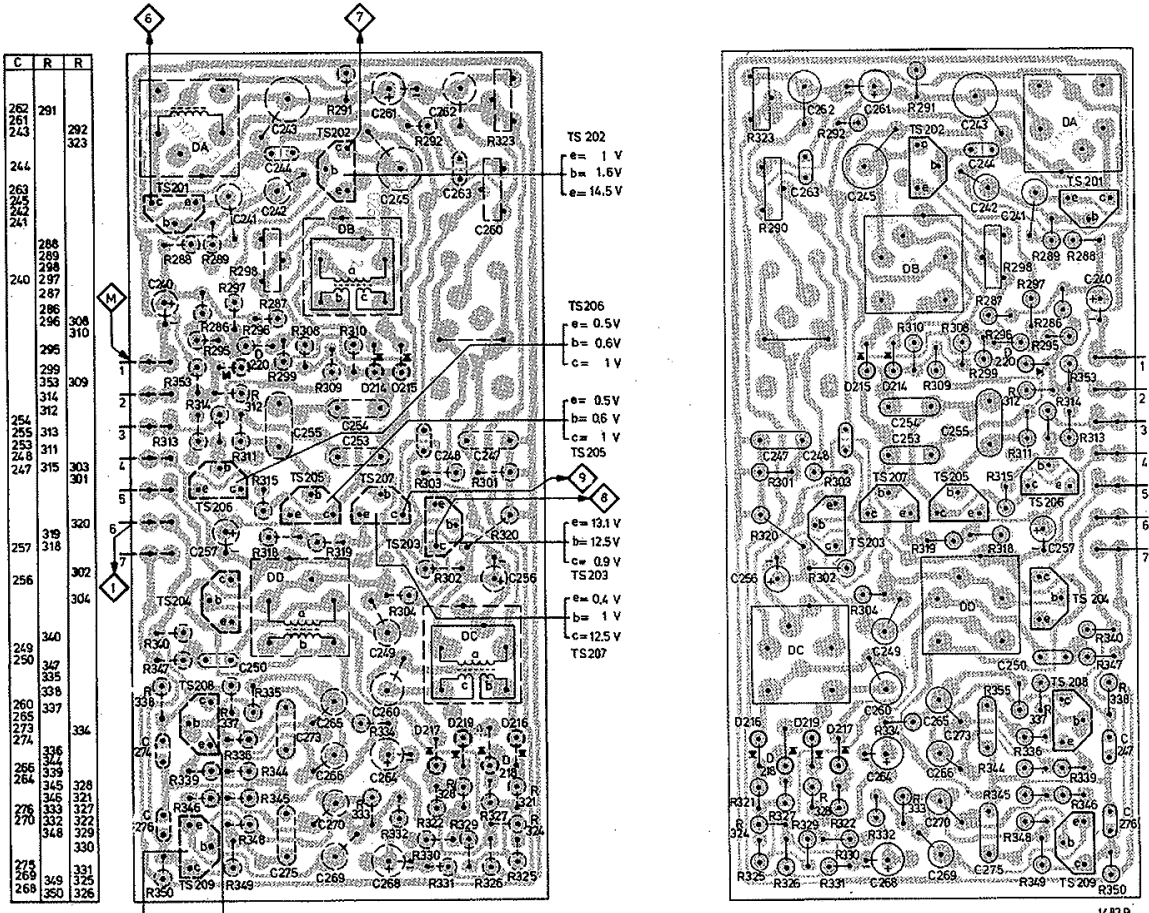
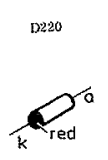
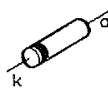
| S1 | DA | | | | DB | | | | DC | | | | DD | | | | | | | | | | | | | | | | | | | | | | | | |
|----|-----|-----|-----|-----|-----|-----|-----|-----|-----|-----|-----|-----|-----|-----|-----|-----|-----|-----|-----|-----|-----|-----|-----|-----|-----|-----|-----|-----|-----|-----|-----|-----|-----|-----|-----|--|--|
| C | 240 | 241 | 242 | 243 | 244 | 245 | 246 | 247 | 248 | 249 | 250 | 251 | 252 | 253 | 254 | 255 | 256 | 257 | 258 | 259 | 260 | 261 | 262 | 263 | 264 | 265 | 266 | 267 | 268 | 269 | 270 | 271 | 272 | 273 | 274 | | |
| C | | | | | 261 | 262 | 263 | | | | | | 257 | 260 | | | | | | | 260 | 269 | 270 | 275 | 276 | | | | | | | | | | | | |
| R | 286 | 289 | 292 | 293 | 295 | 297 | 299 | 308 | 310 | 312 | | | | 320 | 301 | 304 | | | | | | 324 | 335 | 340 | 344 | | | | | | | | | | | | |
| R | | | | | 290 | 298 | 323 | 309 | 311 | 313 | 315 | 318 | 319 | 321 | 322 | 324 | 331 | | | | | 332 | 353 | 333 | 345 | 350 | | | | | | | | | | | |

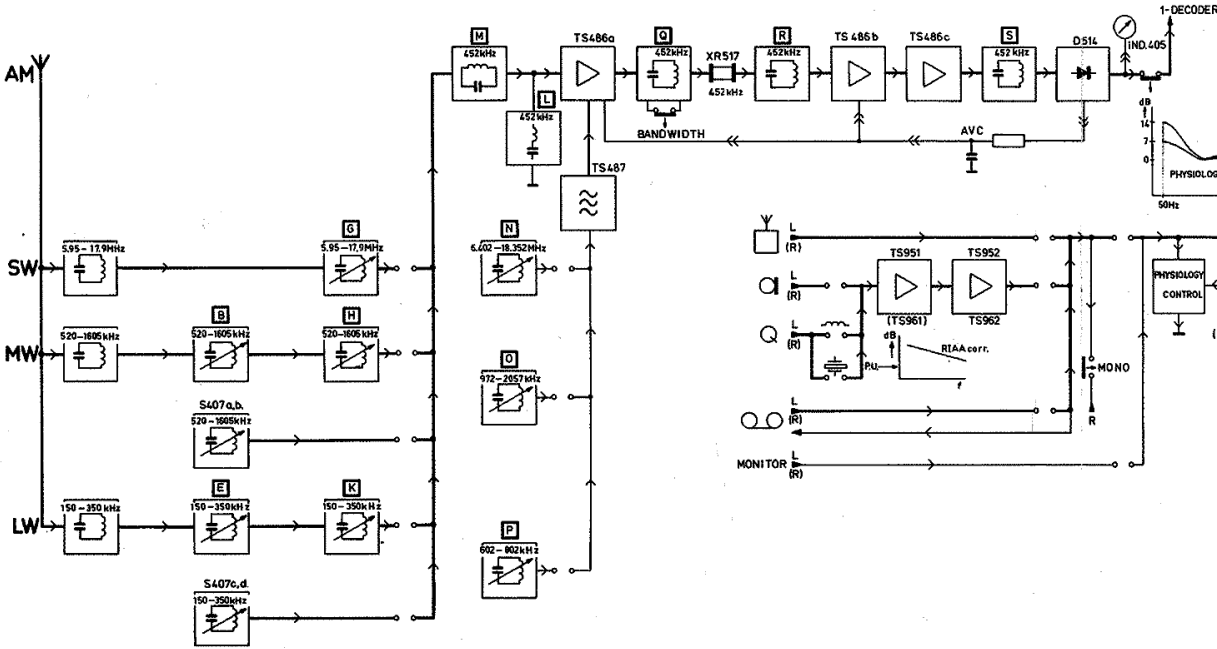
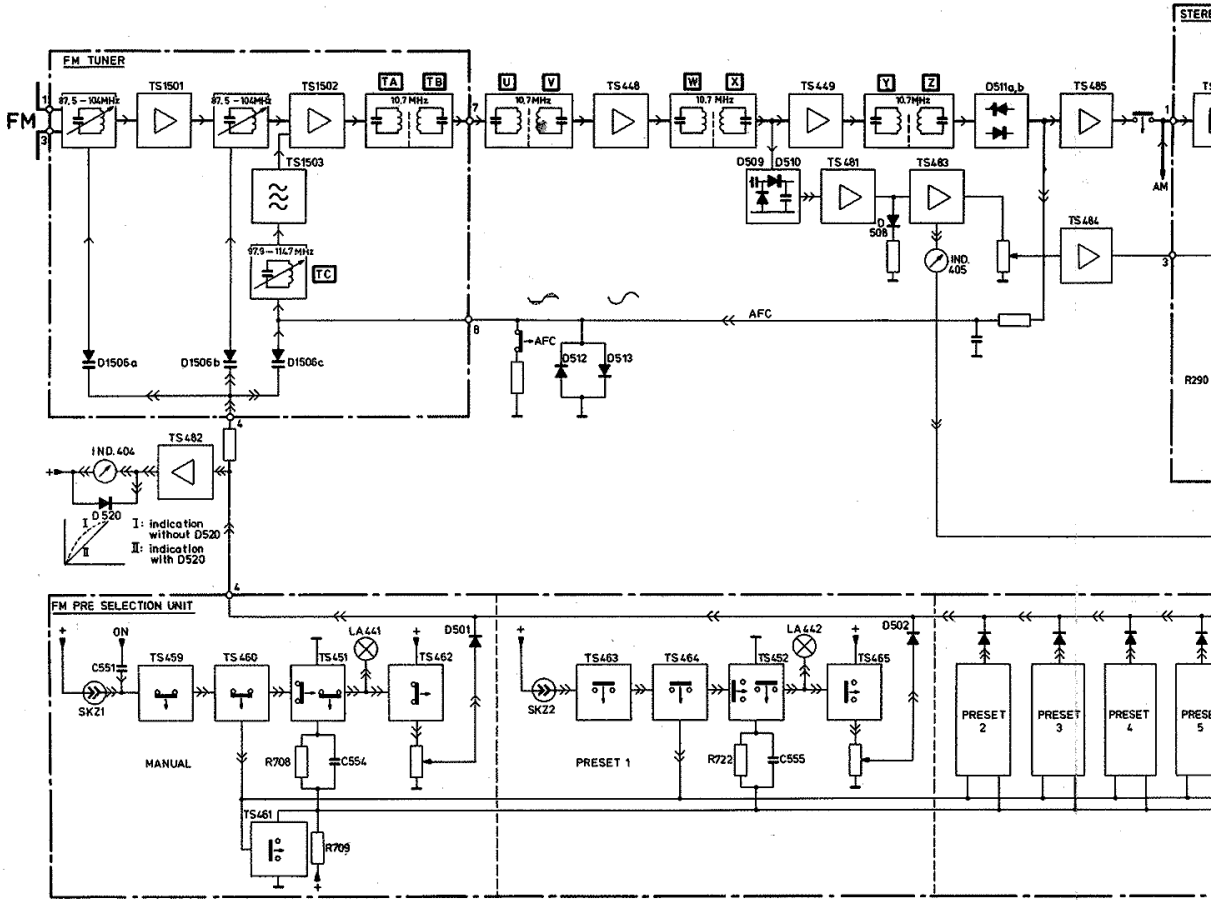


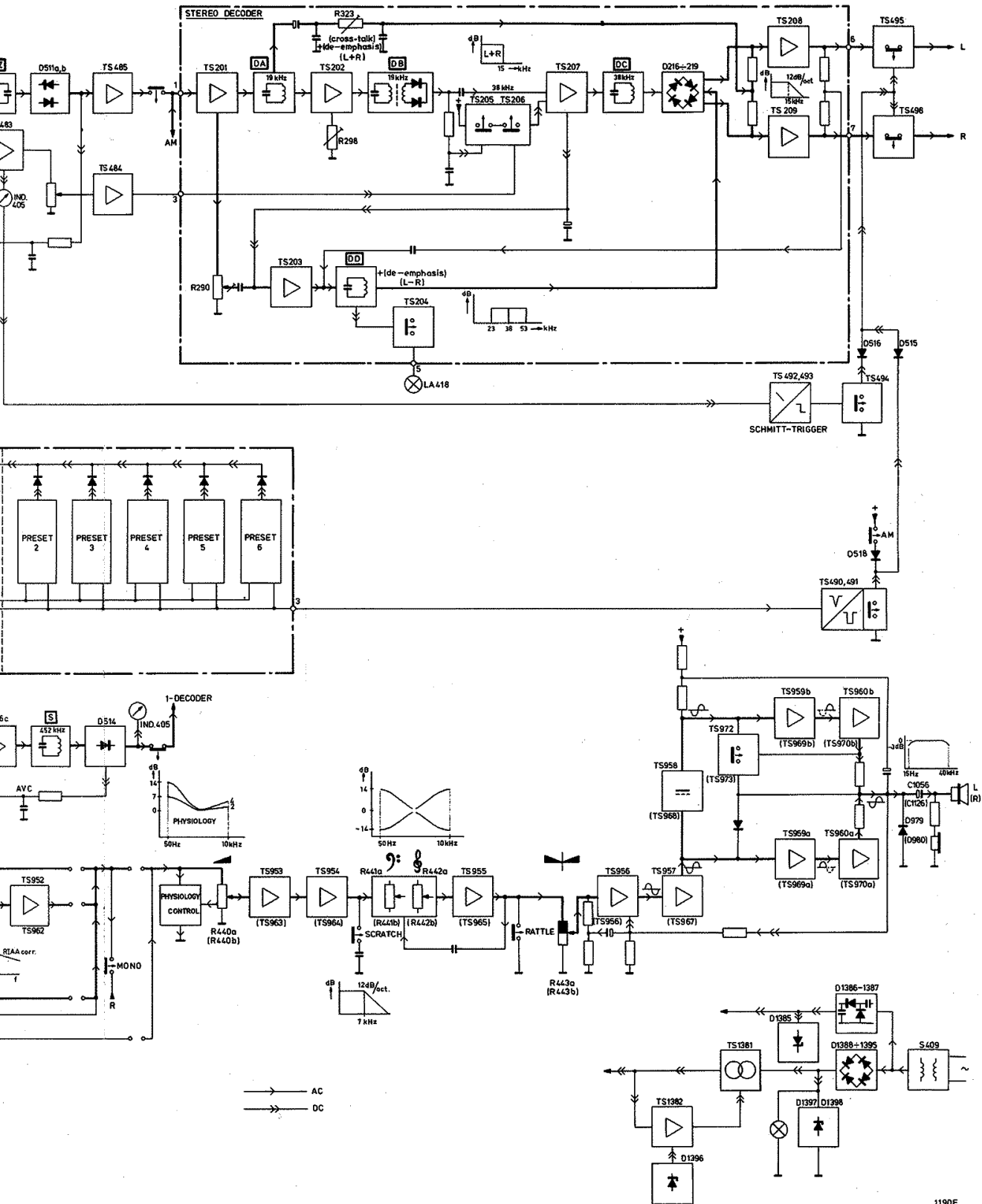
TS201 + TS209



D214 + 219

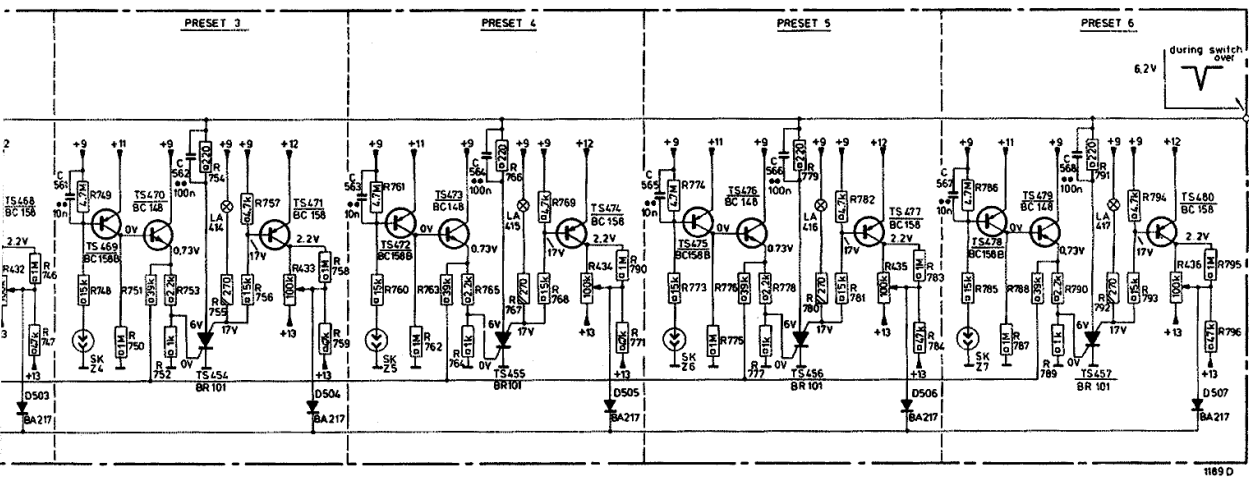




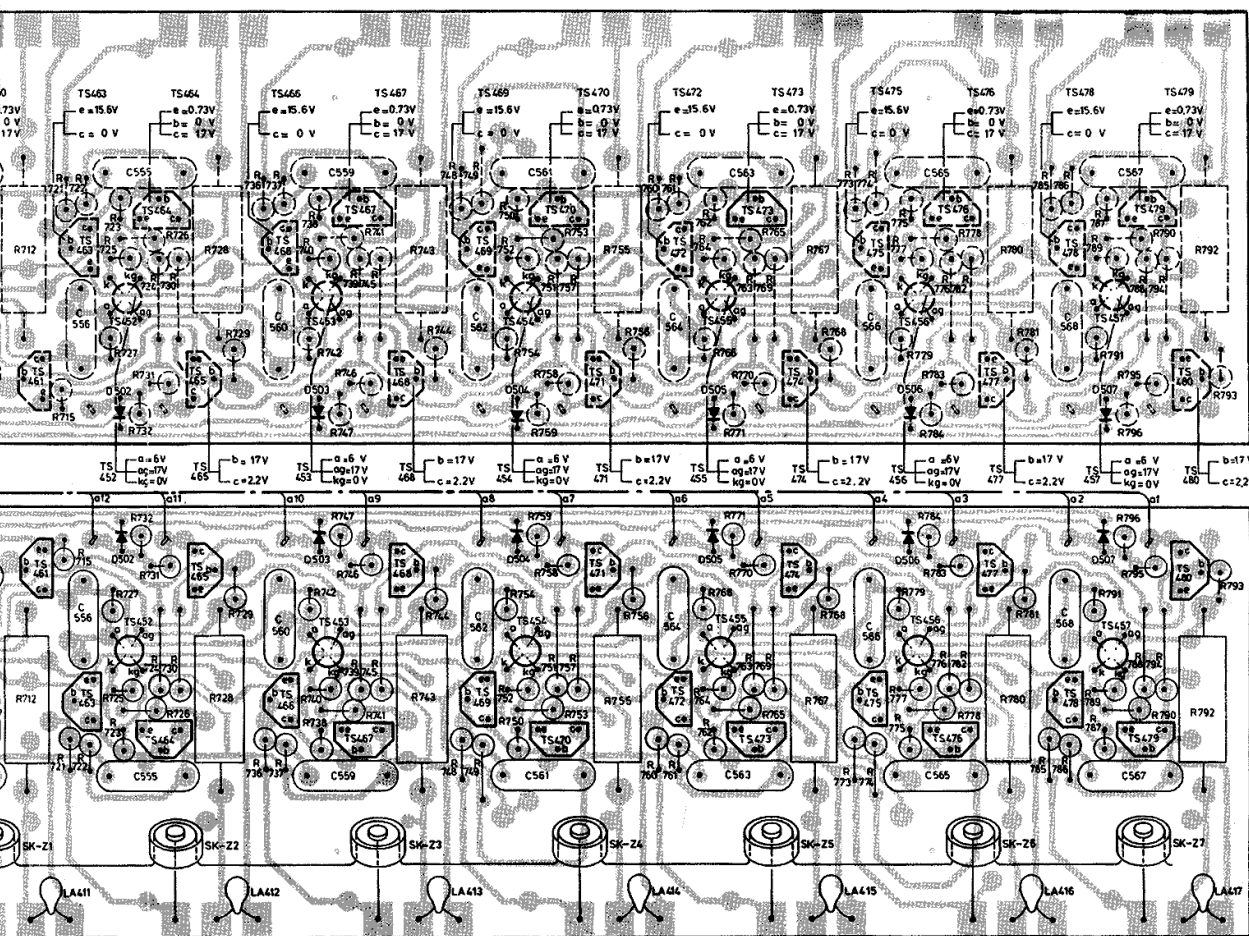


I-PRESELECTION UNIT

| | | | | | | | |
|---------|-------------|---------|-------------|---------|-------------|---------|-------------|
| 561 | 562 | 563 | 564 | 565 | 566 | 567 | 568 |
| 748-759 | 754-759 433 | 760-765 | 766-771 434 | 773-778 | 779-784 435 | 785-790 | 791-796 436 |

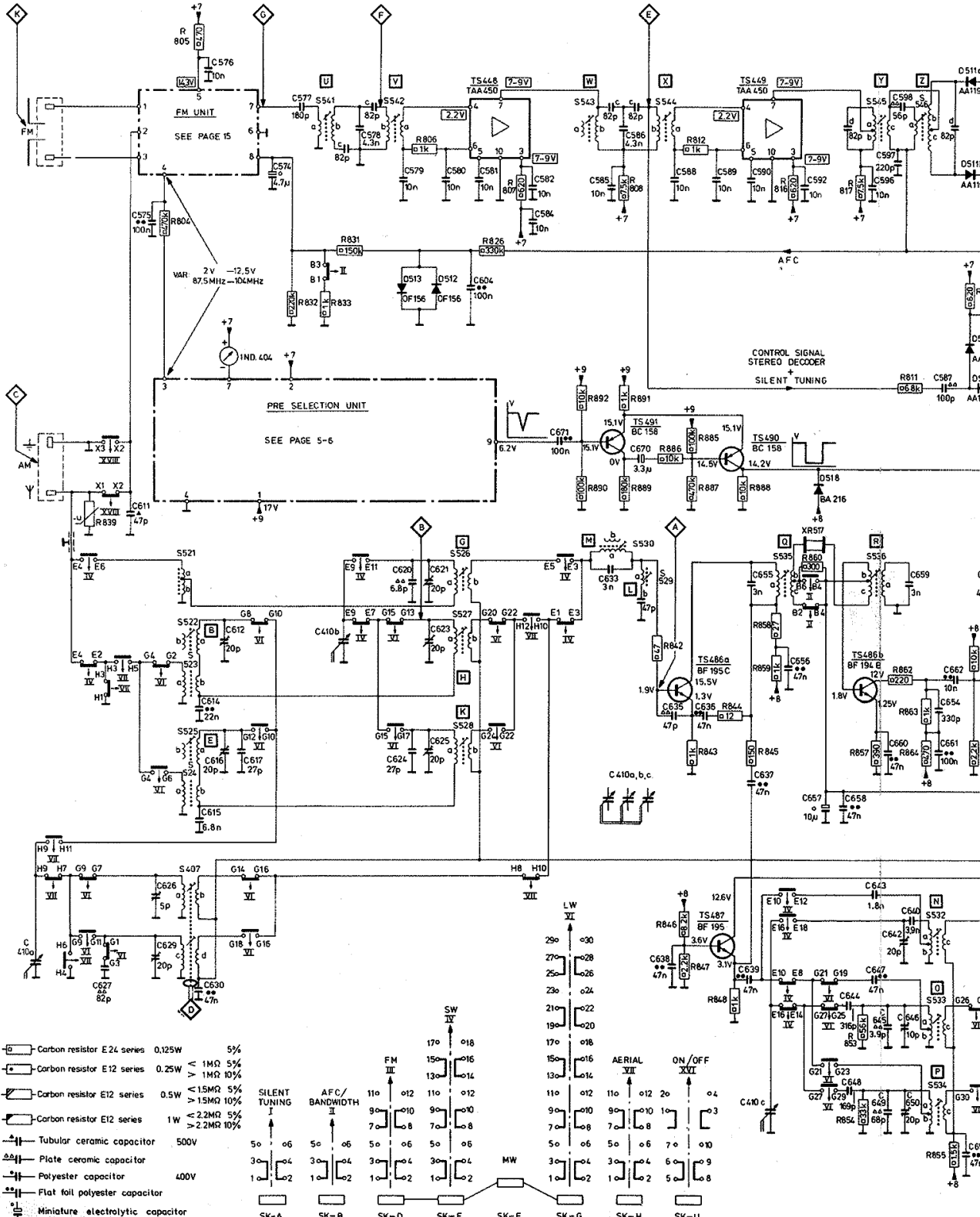


1189 D



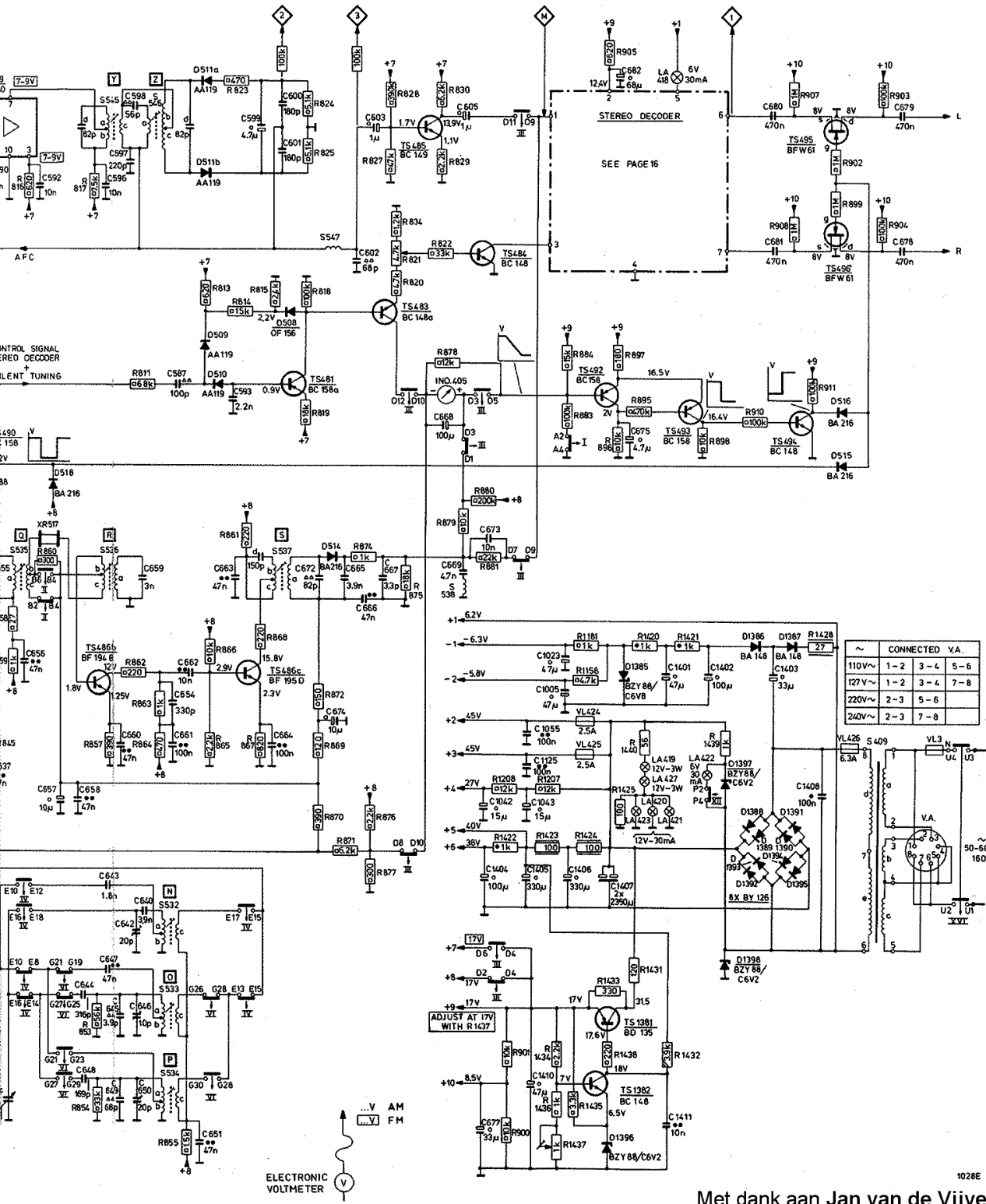
1153 E

| | | | | | | | | | | |
|---|------|-------------------------|--------------------|-------|--------------------|-----------|--------------------------|----------------------|---------------------------------------|--|
| S | 407. | A+E. | U. | V. | G. H. K. | W. M. L. | X. | Q. | R. Y. | Z. N. O. P. |
| C | 575. | 576. | 57c. | 577. | 578. | 579. | 580, 584, 581. | 582, 584, 671. | 585, 586, 670. | 588, 589, 590, 592. |
| C | 410a | 627, 628, 629, 511. | 630, 612, 614-617. | 410b. | 620, 623-625, 621. | 633. | 635, 638, 636, 639, 637. | 655, 410c, 656, 657. | 658, 642-645, 660, 648-650, 644, 661. | 613, 614, 615, 616, 617, 618, 619, 620, 621, 622, 623, 624, 625, 626, 627, 628, 629, 630, 631, 632, 633, 634, 635, 636, 637, 638, 639, 640, 641, 642, 643, 644, 645, 646, 647, 648, 649, 650, 651, 652, 653, 654, 655, 656, 657, 658, 659, 660, 661, 662, 663, 664, 665, 666, 667, 668, 669, 670, 671, 672, 673, 674, 675, 676, 677, 678, 679, 680, 681, 682, 683, 684, 685, 686, 687, 688, 689, 690, 691, 692, 693, 694, 695, 696, 697, 698, 699, 700, 701, 702, 703, 704, 705, 706, 707, 708, 709, 710, 711, 712, 713, 714, 715, 716, 717, 718, 719, 720, 721, 722, 723, 724, 725, 726, 727, 728, 729, 730, 731, 732, 733, 734, 735, 736, 737, 738, 739, 740, 741, 742, 743, 744, 745, 746, 747, 748, 749, 750, 751, 752, 753, 754, 755, 756, 757, 758, 759, 760, 761, 762, 763, 764, 765, 766, 767, 768, 769, 770, 771, 772, 773, 774, 775, 776, 777, 778, 779, 780, 781, 782, 783, 784, 785, 786, 787, 788, 789, 790, 791, 792, 793, 794, 795, 796, 797, 798, 799, 800, 801, 802, 803, 804, 805, 806, 807, 808, 809, 810, 811, 812, 813, 814, 815, 816, 817, 818, 819, 820, 821, 822, 823, 824, 825, 826, 827, 828, 829, 830, 831, 832, 833, 834, 835, 836, 837, 838, 839, 840, 841, 842, 843, 844, 845, 846, 847, 848, 849, 850, 851, 852, 853, 854, 855, 856, 857, 858, 859, 860, 861, 862, 863, 864, 865, 866, 867, 868, 869, 870, 871, 872, 873, 874, 875, 876, 877, 878, 879, 880, 881, 882, 883, 884, 885, 886, 887, 888, 889, 890, 891, 892, 893, 894, 895, 896, 897, 898, 899, 900, 901, 902, 903, 904, 905, 906, 907, 908, 909, 910, 911, 912, 913, 914, 915, 916, 917, 918, 919, 920, 921, 922, 923, 924, 925, 926, 927, 928, 929, 930, 931, 932, 933, 934, 935, 936, 937, 938, 939, 940, 941, 942, 943, 944, 945, 946, 947, 948, 949, 950, 951, 952, 953, 954, 955, 956, 957, 958, 959, 960, 961, 962, 963, 964, 965, 966, 967, 968, 969, 970, 971, 972, 973, 974, 975, 976, 977, 978, 979, 980, 981, 982, 983, 984, 985, 986, 987, 988, 989, 990, 991, 992, 993, 994, 995, 996, 997, 998, 999, 1000. |
| R | 839. | 804, 805, 802, 799-801. | 832, 831. | 833. | 806. | 826, 807. | 889-892, 808. | 885-887, 812, 888. | 816. | 817, 811, 813, 814, 815, 816, 817, 818, 819, 820, 821, 822, 823, 824, 825, 826, 827, 828, 829, 830, 831, 832, 833, 834, 835, 836, 837, 838, 839, 840, 841, 842, 843, 844, 845, 846, 847, 848, 849, 850, 851, 852, 853, 854, 855, 856, 857, 858, 859, 860, 861, 862, 863, 864, 865, 866, 867, 868, 869, 870, 871, 872, 873, 874, 875, 876, 877, 878, 879, 880, 881, 882, 883, 884, 885, 886, 887, 888, 889, 890, 891, 892, 893, 894, 895, 896, 897, 898, 899, 900, 901, 902, 903, 904, 905, 906, 907, 908, 909, 910, 911, 912, 913, 914, 915, 916, 917, 918, 919, 920, 921, 922, 923, 924, 925, 926, 927, 928, 929, 930, 931, 932, 933, 934, 935, 936, 937, 938, 939, 940, 941, 942, 943, 944, 945, 946, 947, 948, 949, 950, 951, 952, 953, 954, 955, 956, 957, 958, 959, 960, 961, 962, 963, 964, 965, 966, 967, 968, 969, 970, 971, 972, 973, 974, 975, 976, 977, 978, 979, 980, 981, 982, 983, 984, 985, 986, 987, 988, 989, 990, 991, 992, 993, 994, 995, 996, 997, 998, 999, 1000. |
| R | 839. | 804, 805, 802, 799-801. | 832, 831. | 833. | 806. | 826, 807. | 889-892, 808. | 885-887, 812, 888. | 816. | 817, 811, 813, 814, 815, 816, 817, 818, 819, 820, 821, 822, 823, 824, 825, 826, 827, 828, 829, 830, 831, 832, 833, 834, 835, 836, 837, 838, 839, 840, 841, 842, 843, 844, 845, 846, 847, 848, 849, 850, 851, 852, 853, 854, 855, 856, 857, 858, 859, 860, 861, 862, 863, 864, 865, 866, 867, 868, 869, 870, 871, 872, 873, 874, 875, 876, 877, 878, 879, 880, 881, 882, 883, 884, 885, 886, 887, 888, 889, 890, 891, 892, 893, 894, 895, 896, 897, 898, 899, 900, 901, 902, 903, 904, 905, 906, 907, 908, 909, 910, 911, 912, 913, 914, 915, 916, 917, 918, 919, 920, 921, 922, 923, 924, 925, 926, 927, 928, 929, 930, 931, 932, 933, 934, 935, 936, 937, 938, 939, 940, 941, 942, 943, 944, 945, 946, 947, 948, 949, 950, 951, 952, 953, 954, 955, 956, 957, 958, 959, 960, 961, 962, 963, 964, 965, 966, 967, 968, 969, 970, 971, 972, 973, 974, 975, 976, 977, 978, 979, 980, 981, 982, 983, 984, 985, 986, 987, 988, 989, 990, 991, 992, 993, 994, 995, 996, 997, 998, 999, 1000. |



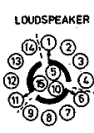
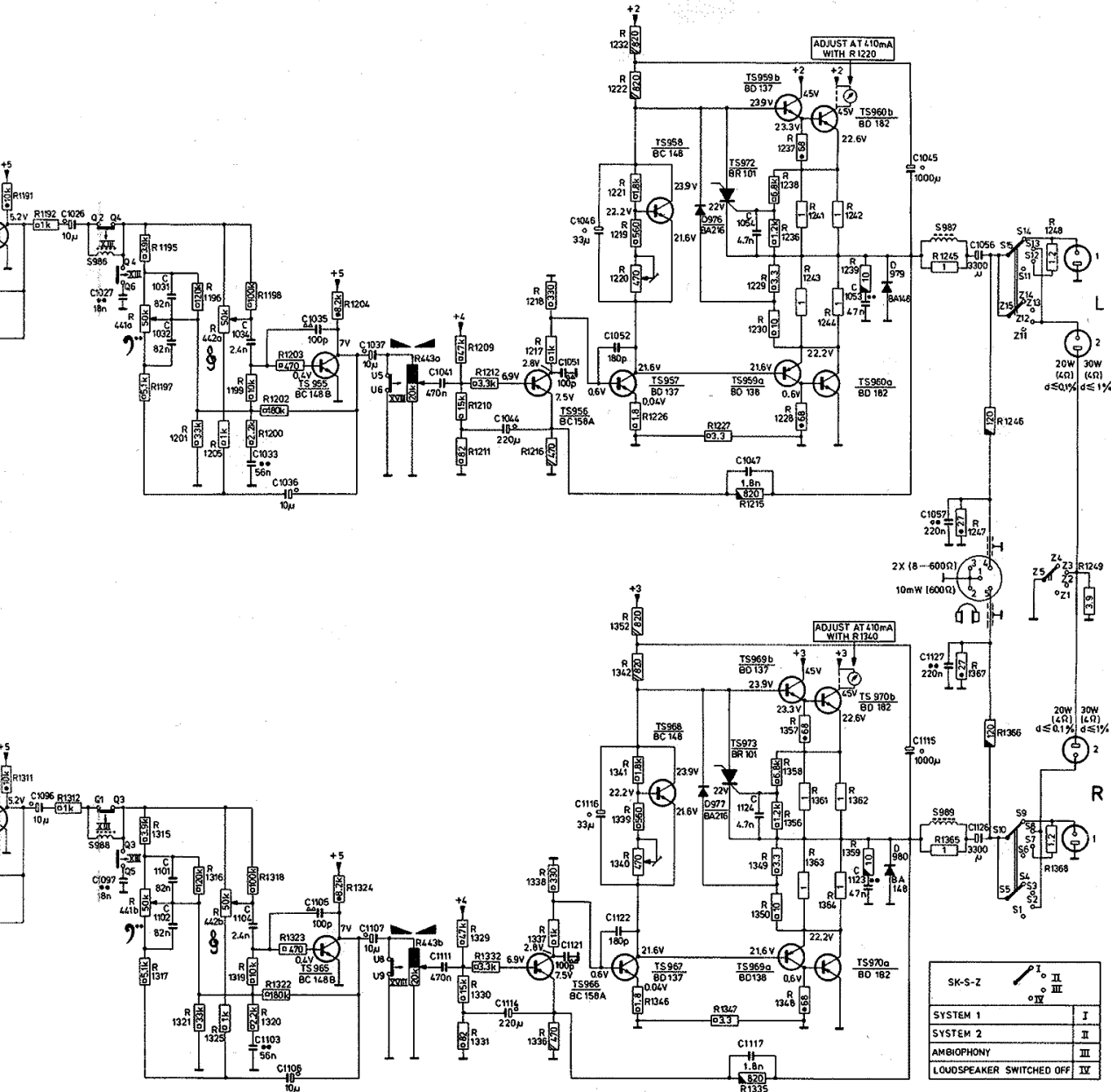
- Carbon resistor E24 series 0.125W 5%
- Carbon resistor E12 series 0.25W $\le 1M\Omega$ 5%
- Carbon resistor E12 series 0.5W $\le 15M\Omega$ 5%
- Carbon resistor E12 series 1W > 2.2M Ω 10%
- Tubular ceramic capacitor 500V
- Plate ceramic capacitor
- Polyester capacitor 400V
- Flat foil polyester capacitor
- Miniature electrolytic capacitor

| | | | | | | | | | | | | | | | | | | | | | | | | | | | | | | | | | | | | |
|-----|-----|---------|-----|---------|-----|---------|-----|-----|-----|-----|---------|---------|---------|------|---------|------|---------|---------|------|------|-----------|-----------|------|------|---------|------|--------|------|-----|-----|-----|-----|-----|-----|-----|---|
| Q | R | Y | Z | N | O | P | S | 47 | 53 | 60 | 67 | 104 | 105 | 1023 | 1005 | 1042 | 682 | 675 | | | 409 | S | | | | | | | | | | | | | | |
| 90 | 592 | 596-598 | 659 | 587 | 654 | 593 | 663 | 600 | 601 | 602 | 603 | 668 | 669 | 605 | 673 | 877 | 1402 | 1430 | 1405 | 1125 | 1043 | 1406 | 1407 | 1401 | 1411 | 1402 | 680 | 681 | | 679 | 678 | C | | | | |
| 10C | 656 | 657 | 658 | 642-645 | 660 | 648-650 | 640 | 661 | 662 | 651 | 599 | 664 | 672 | 674 | 665-667 | | | | | | | | | | | | 1403 | 1408 | | | | C | | | | |
| | 816 | | 812 | | 811 | | 813 | 814 | 823 | 815 | 818 | 819 | 824 | 825 | 872 | 834 | 827-830 | 878-881 | 1208 | 1207 | 905 | 883 | 884 | 1181 | 895-897 | 1439 | 140898 | 910 | 908 | 907 | 91 | 902 | 899 | 903 | 904 | R |
| 899 | 854 | 853 | 857 | 862-864 | 855 | 865 | 866 | 861 | 867 | 868 | 869-871 | 874-877 | 820-822 | | | | | | 900 | 901 | 1422-1424 | 1433-1438 | 1158 | 1431 | 1420 | 1432 | 1421 | | | | | | | R | | |



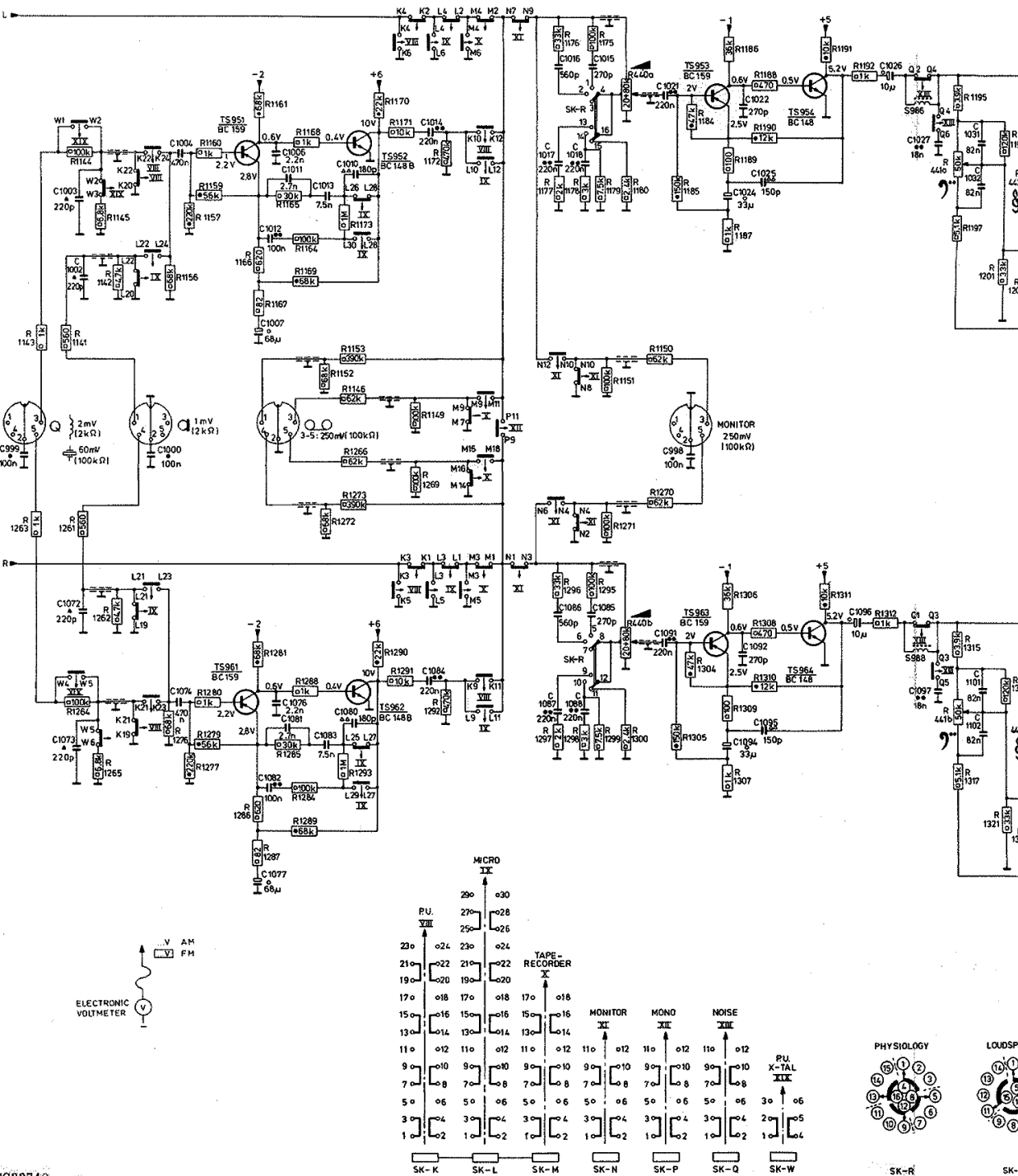
| | CONNECTED | V.A. |
|--------|-----------|---------|
| 110V ~ | 1-2 | 3-4 5-6 |
| 127V ~ | 1-2 | 3-4 7-8 |
| 220V ~ | 2-3 | 5-6 |
| 240V ~ | 2-3 | 7-8 |

| | | | | | | | | | | | | | | | | | | | | |
|--|--|--|--|--|--|--|--|--|--|----------|--|--|--|--|--|--|--|--|--|--|
| 966, 988 | | | | | | | | | | 967, 989 | | | | | | | | | | |
| 1026, 1027, 1029, 1031, 1032, 1033, 1034, 1036, 1035, 1037, 1041, 1044, 1051, 1046, 1052, 1054, 1047, 1053, 1045, 1057, 1056 | 1096, 1097, 1101, 1102, 1103, 1104, 1106, 1105, 1107, 1111, 1114, 1121, 1116, 1122, 1124, 1112, 1123, 1115, 1127, 1126 | 1191, 1192, 1216, 1195-1197, 1201, 1205, 1198-1200, 1202-1204, 1216-1218, 1232, 1228-1222, 1226, 1227, 1215, 1228-1230, 1236-1238, 1241-1244, 1239, 1245, 1247, 1246, 1248, 1249 | 1311, 1312, 1316, 1315-1317, 1321, 1325, 1318-1320, 1322-1324, 443a, 1209-1212, 443b, 1329-1332, 1326-1336, 1352, 1359-1342, 1346, 1347, 1335, 1348-1350, 1356-1358, 1361-1364, 1359, 1365, 1367, 1366, 1368 | | | | | | | | | | | | | | | | | |



- Carbon resistor E24 series 0.125W 5%
- Carbon resistor E12 series 0.25W $1M\Omega$ 5%
- Carbon resistor E12 series 0.5W $15M\Omega$ 5%
- Carbon resistor E12 series 1W $2.2M\Omega$ 5%
- Tubular ceramic capacitor 500V
- Plate ceramic capacitor
- Polyester capacitor 400V
- Flat foil polyester capacitor
- Miniature electrolytic capacitor

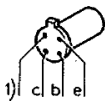
| | | | | | | | | | | | | | | | | | | | | |
|---|---|--|--|--|--|--|--|--|--|--|--|--|--|--|--|--|--|--|--|----------|
| S | | | | | | | | | | | | | | | | | | | | 986, 988 |
| C | 999, 1002, 1003, 1004, 1004, 1007, 1012, 1006, 1011, 1010, 1013, 1014, 1015-1018, 998, 1021, 1022, 1024, 1025, 1026, 1027, 1031, 1032, | | | | | | | | | | | | | | | | | | | |
| C | 1072, 1073, 1074, 1077, 1082, 1076, 1081, 1080, 1083, 1084, 1085-1088, 1091, 1092, 1094, 1095 | | | | | | | | | | | | | | | | | | | |
| R | 1143, 1141, 1144, 1145, 1142, 1156, 1157, 1158, 1160, 1161, 1164-1169, 1152, 1173, 1153, 1145, 1170, 1171, 1149, 1172, 1175-1180, 1151, 1144a, 1150, 1184-1190, 1191, 1192, 1193, 1194, 1195, 1197, 1201, | | | | | | | | | | | | | | | | | | | |
| R | 1263, 1261, 1264, 1265, 1262, 1278, 1277, 1279, 1280, 1291, 1284-1289, 1272, 1293, 1273, 1286, 1290, 1291, 1289, 1292, 1295-1300, 1271, 1440b, 1270, 1304-1310, 1311, 1312, 4416, 1315-1317, 1321, | | | | | | | | | | | | | | | | | | | |



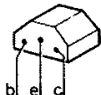
HF/FM-UNIT

| | | | | | | | |
|---|-------------|------|------|------|------|-------------|-------------|
| S | 1511 + 1513 | 1514 | 1515 | 1516 | TC | TA | TB |
| C | 1530 | 1525 | 1526 | 1528 | 1529 | 1550 + 1552 | 1553 |
| C | | | | 1531 | 1532 | 1535 | 1527 |
| R | | 1577 | 1562 | 1563 | 1578 | 1581 | 1582 |
| R | | | 1564 | | | 1570 - 1574 | 1583 |
| | | | | | | | 1567 + 1569 |

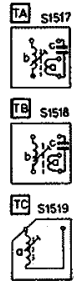
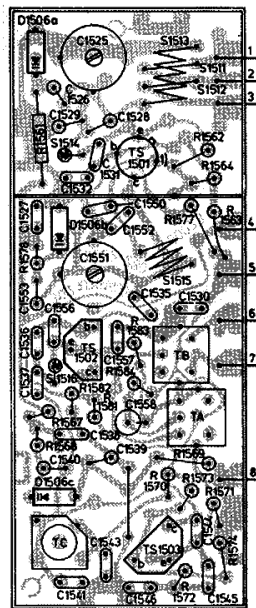
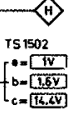
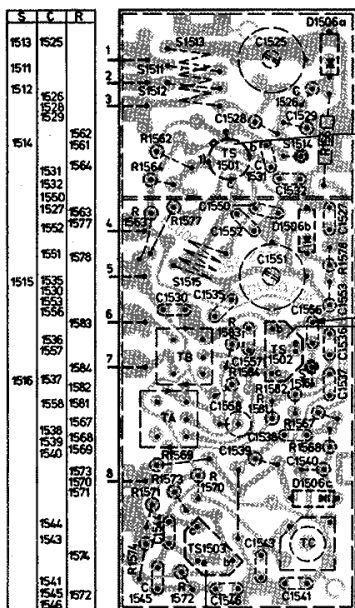
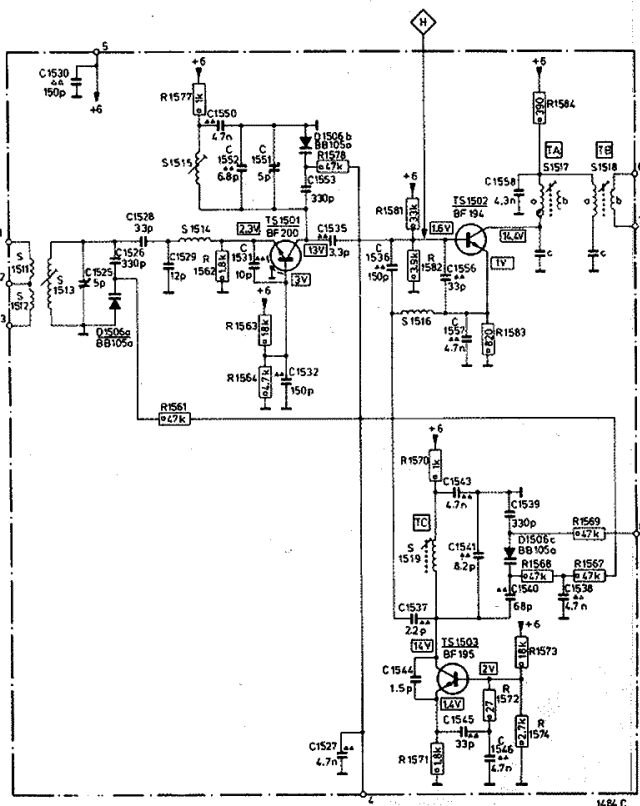
TS1501



TS1502, 1503



D1506a, b, c



1481A

TS1503 1480A